



103806 E. Tripple Vista Drive
Kennewick WA 99338
ph: 509.628.9949
fax: 877.709.1792
email: vrenard@remotesystems-inc.com
www.remotesystems-inc.com

Agency & Point of Contact

Agency:

DOE

Prime Contractor

Pacific Northwest National Laboratory
PO Box 999
Richland WA 99352

Technical Point of Contact

Bill Ayers
Pacific Northwest National Laboratory
PO Box 999
Richland WA 99352
509.371.7721
william.ayers@pnnl.gov

Contract/Purchasing POC

Smith, Joanne D
Pacific Northwest National Laboratory
PO Box 999
Richland WA 99352
509.375.3803
Joanne.Smith@pnnl.gov

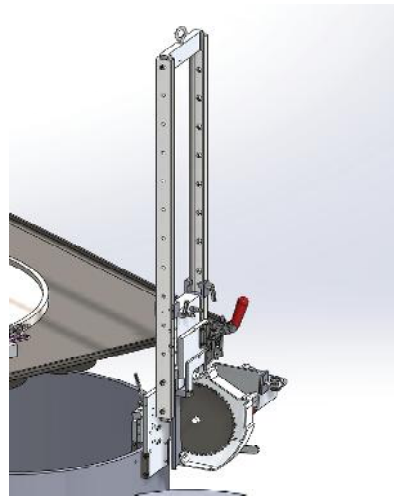
Location of Work

Design and Assembly completed in:
Kennewick, WA, USA

Delivery and Operations:
DOE Hanford Site, 325 B-Cell

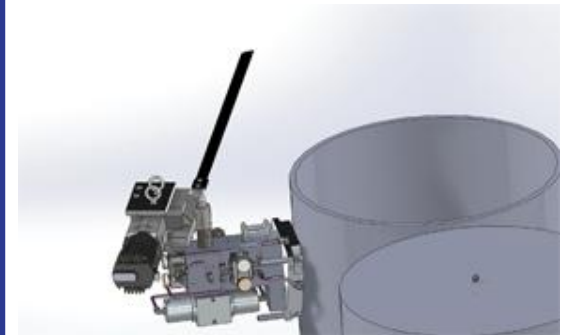
Summary of Statement of Work

RSE was contracted by PNNL to design remotely operated tools to be used for demolition of stainless steel components in a radioactive hot cell. The tool design was centered on the use of Commercial Off The Shelf (COTS) hand held tools. Each tool was integrated with a universal modular tool base that allows the deployment of multiple tools types on a single type of anchor system. Each tool is able to be deployed through a 13" opening while being handled and operated with a Central Research Laboratory Manipulator. For complete capabilities of the tools please contact Victor Renard with Remote Systems Engineering.



Project Overview

Project Name: B-Cell Tooling
Project #: 2011-19
Contract Type: T&M
Contract #: 168956
Date of Contract: 11-29-2011



Project Status

Design Completed.
Tools are being fabricated and tested

